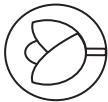
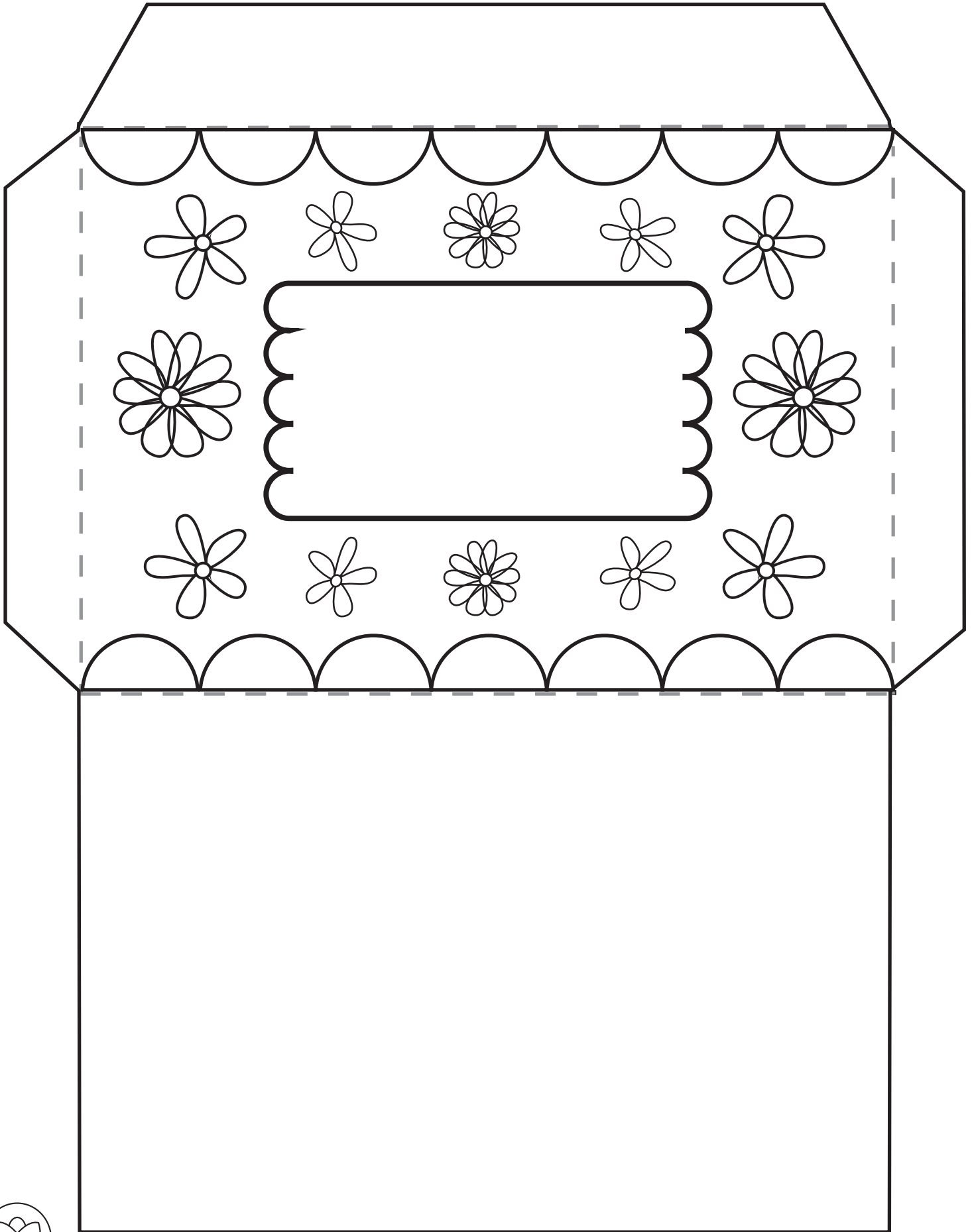


Colored with care by:

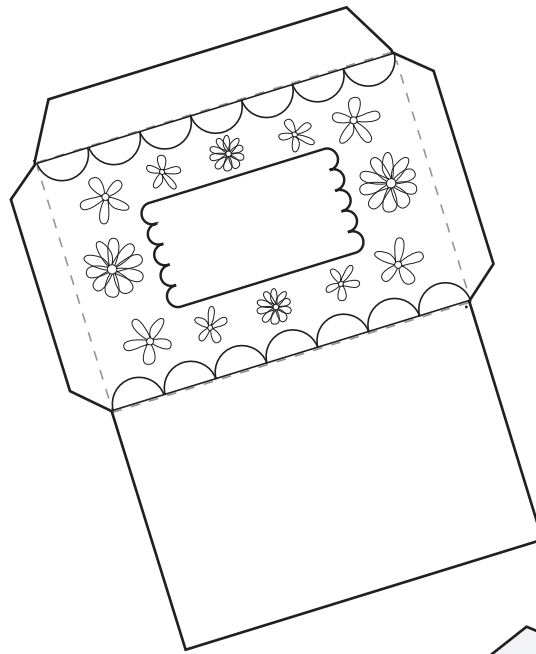
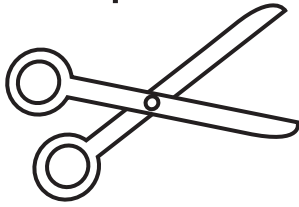


For Personal Use Only

Printable available at www.citiciasmith.com © 2020 Lyonsmith Creative Group

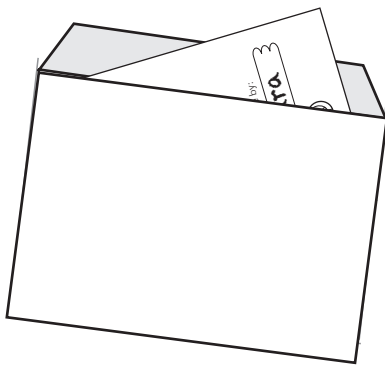
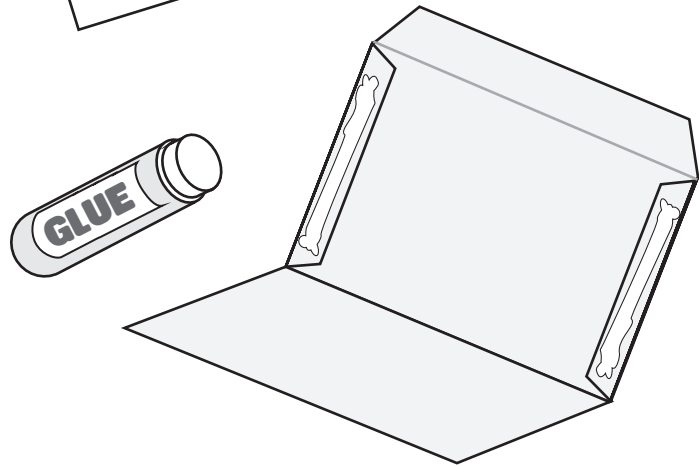


- 1 Cut out envelope.



- 2 Fold along dotted lines.

- 3 Turn envelope over, fold side flaps in and add glue.



- 4 Fold bottom of envelope up and connect to side flaps; then add card.

- 5 Give to someone special.

